

PAMS Technical Documentation

NSD-3 Series Transceivers

Non Serviceable Accessories

CONTENTS

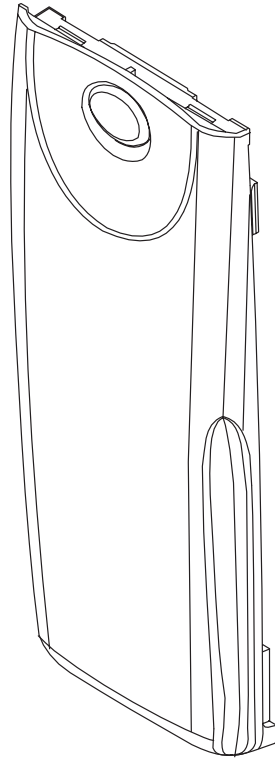
Slim Battery BLS-2	5
Product Code	5
Standard Battery BMS-2	6
Product Code	6
Battery BMS-2S	7
Product Code	7
Vibrator Battery BMS-2V	8
Product Code	8
Extended Battery BLS-4	9
Product Code	9
Light Battery BLS-5	10
Product Code	10
AC Travel Charger ACP-7	11
Product Codes	11
Specification	11
Fast Travel Charger ACP-9	12
Product Codes	12
Specification	12
Cigarette Lighter Charger LCH-9	13
Product Code	13
Specification	13
Desktop Stand DCH-9	14
Product Code	14
Specification	14
Mobile Holder MBC-1	15
Product Code	15
Mobile Holder MCC-1	16
Product Code	16
Power Cable PCH-4J	17
Product Code	17
Handsfree Microphone HFM-8	18
Product Code	18
Handsfree Speaker HFS-12	19
Product Code	19
Mounting Plate MKU-1	20
Product Code	20
Swivel Mount HHS-9	20
Product Code	20
Headset HDC-9	21
Product Code	21
Loopset Unit LPS-1	22
Product Code	22
Belt Clip BCH-12	23
Product Code	23

Belt Clip BCH-16	24
Product Code	24
External Antenna Cable XRC-1	25
Product Code	25
Data Adapter Cable DAC-2	26
Product Code	26
Analog Data Adapter Cable DAR-3	27
Product Code	27

This page intentionally left blank.

Slim Battery BLS-2

The BLS-2 is a Li-ion light battery with 900 mAh capacity.

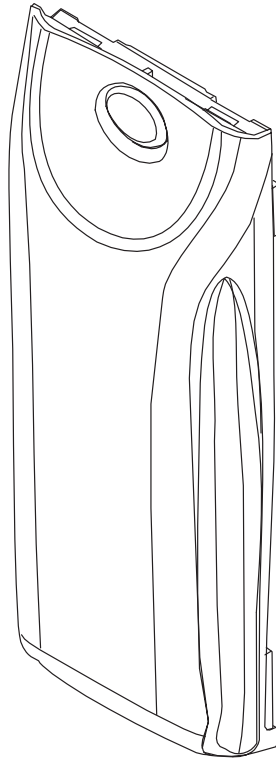


Product Code

Battery pack BLS-2: 0670206

Standard Battery BMS-2

The BMS-2 is a NiMH battery with 900 mAh capacity.

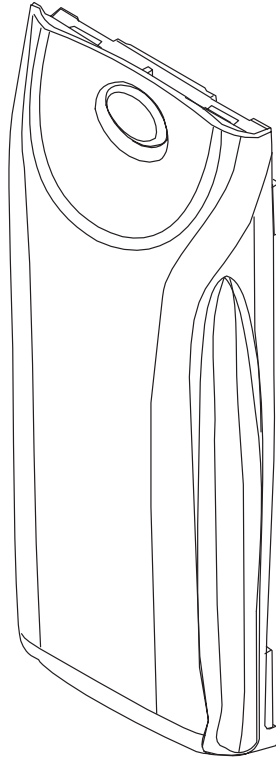


Product Code

Battery pack BMS-2: 0670203

Battery BMS-2S

The BMS-2S is a NiMH battery with 900 mAh capacity. Slimmer than BMS-2.



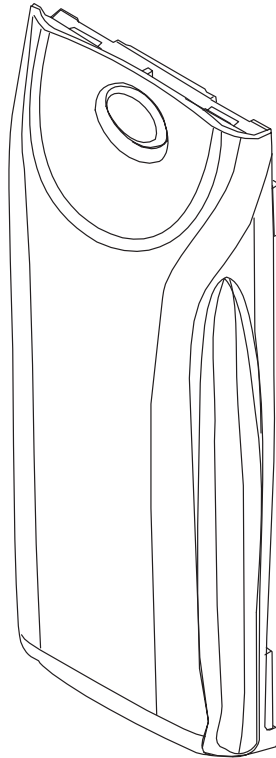
Product Code

Battery pack BMS-2S:

0670225

Vibrator Battery BMS-2V

The BMS-2V is a NiMH battery with 900 mAh capacity and vibrator.



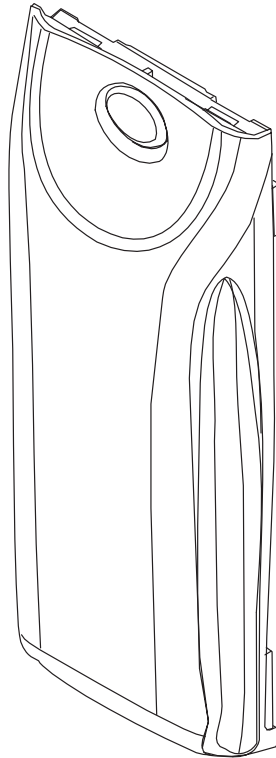
Product Code

Battery pack BMS-2V:

0670204

Extended Battery BLS-4

The BLS-4 is a Li-ion battery with 1500 mAh capacity.

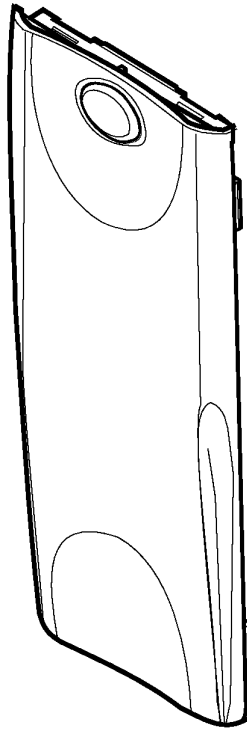


Product Code

Battery pack BLS-4: *0670207*

Light Battery BLS-5

The BLS-5 is a Li-ion battery with 600 mAh capacity.

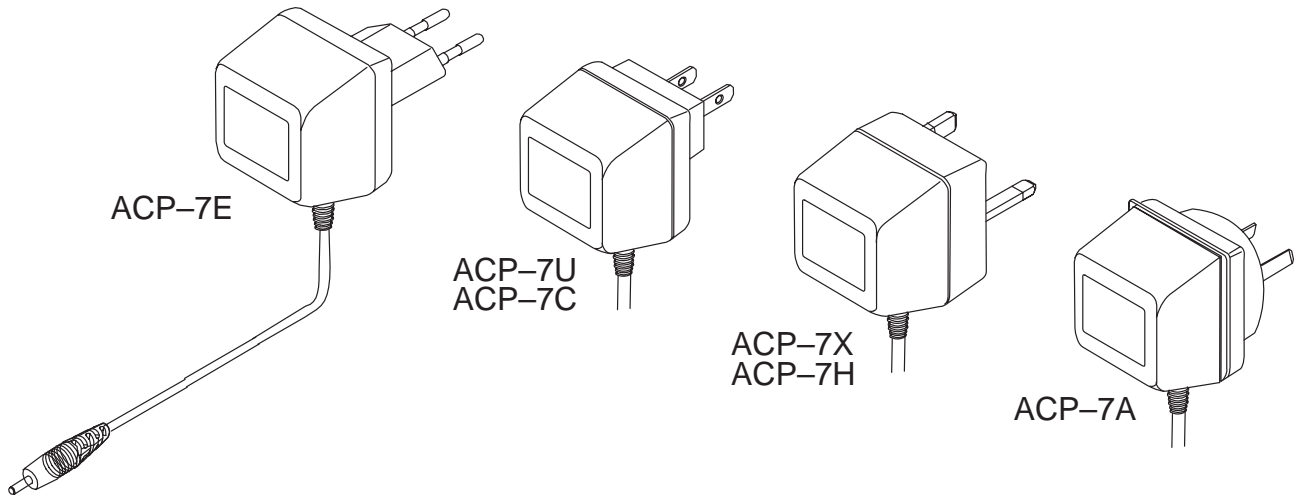


Product Code

Battery pack BLS-4: *0670224*

AC Travel Charger ACP-7

The standard charger is available for different voltage levels and comes with different wall plugs. The standard charger can also be used as a power supply for the desktop stand.



S0001160

Product Codes

AC Travel Charger (Euro plug) 207-253 Vac
AC Travel Charger (US plug) 108-132 Vac
AC Travel Charger (US plug) 198-242 Vac
AC Travel Charger (UK plug) 207-253 Vac
AC Travel Charger (UK plug) 180-220 Vac
AC Travel Charger (Australia) 216-264 Vac

ACP-7E 0675144
ACP-7U 0675143
ACP-7C 0675158
ACP-7X 0675145
ACP-7H 0675146
ACP-7A 0675148

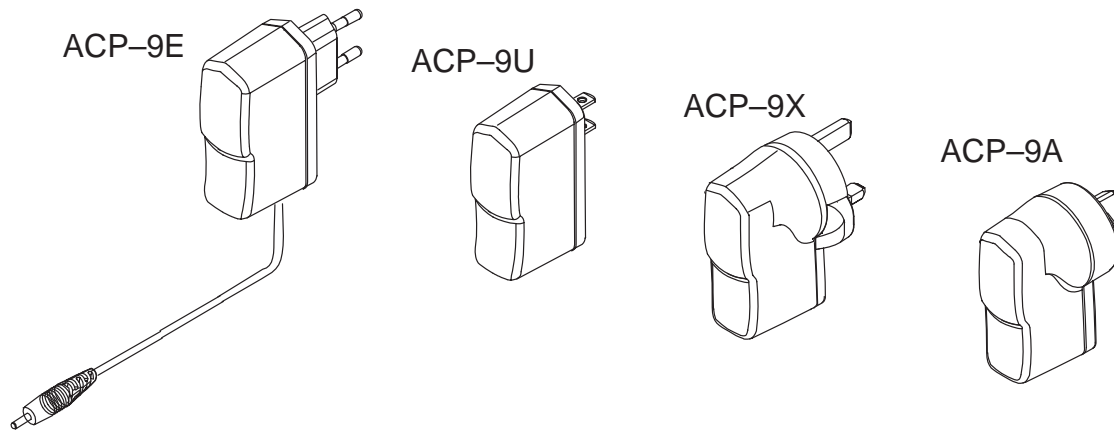
Specification

Output connectors:	3.5 mm DC plug, 2-pole
Protection:	PTC protection
Output Voltage /Current (typ)	7.6 V / 370 mA

Fast Travel Charger ACP-9

Operating within the voltage range 90 V...264 V AC (50 Hz...60 Hz), the Fast Travel Charger is practically current independent in normal office and household use. Like the standard charger, it is compatible with all battery options and is available for different wall sockets.

The Fast Travel Charger can also be used with desktop stand.



Product Codes

Fast Travel Charger (Euro plug) 90-264 Vac	ACP-9E	0675149
Fast Travel Charger (US plug) 90-264 Vac	ACP-9U	0675151
Fast Travel Charger (UK plug) 90-264 Vac	ACP-9X	0675150
Fast Travel Charger (Australia) 90-264 Vac	ACP-9A	0675152
Output cable PCC-1 (supplied with ACP-9):		0730076

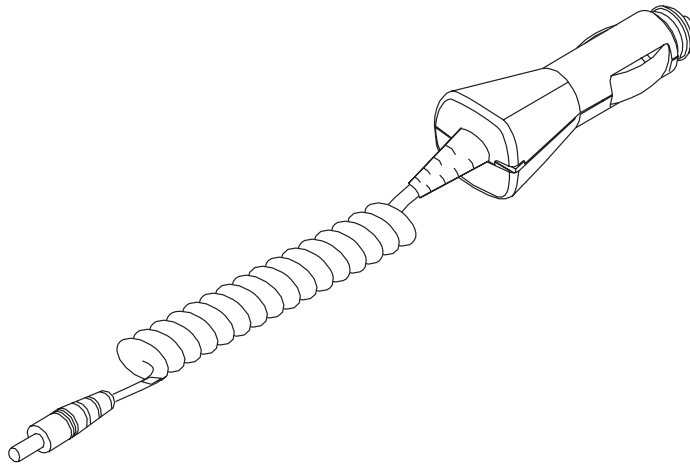
Specification

Output connectors:	3.5 mm DC plug, 3-pole (+, -, control)
Protection:	output current limiting, max. 850 mA output voltage limiting, max. 9.3 V (unloaded)
Output voltage/current (typ):	8.4 V / 800 mA

Cigarette Lighter Charger LCH-9

A green light indicates that the cigarette lighter charger is ready for charging. Check the charging status on the phone display. The input voltage can be from 11 or 32 V d.c., negative grounding.

Universal mobile charger can be used with all car accessories provided for your phone except MCC-1.



Product Code

Universal mobile charger LCH-9: *0675120*

Specification

Connectors

- input: *D 21/23 mm*
- output: *3.5 mm DC plug*

Protection: *input fused, output current limit 850 mA*

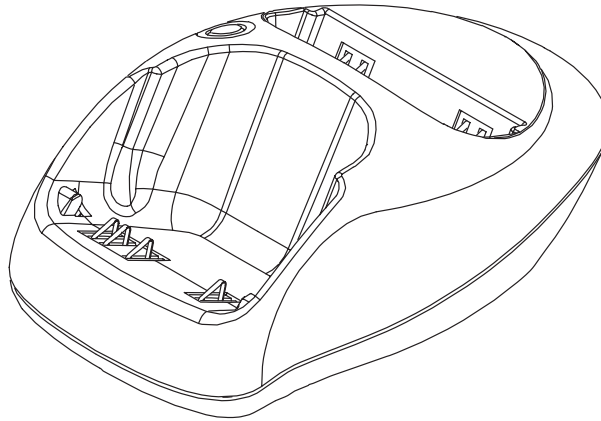
Voltage

- input: *11...32 V*
- output (nominal): *8.4 V*

Nominal output current: *800 mA*

Desktop Stand DCH-9

The desktop stand provides mounting place for both the phone and a spare battery.



Product Code

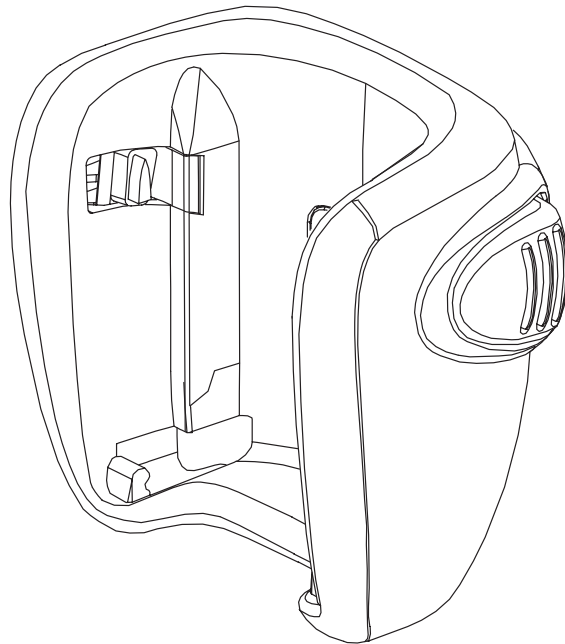
Desktop stand DCH-9:

0675174
0700049

Specification

Connections:	3.5 mm DC jack
Charge control:	MCU control for spare battery charging
Operation input voltage:	9...16 V

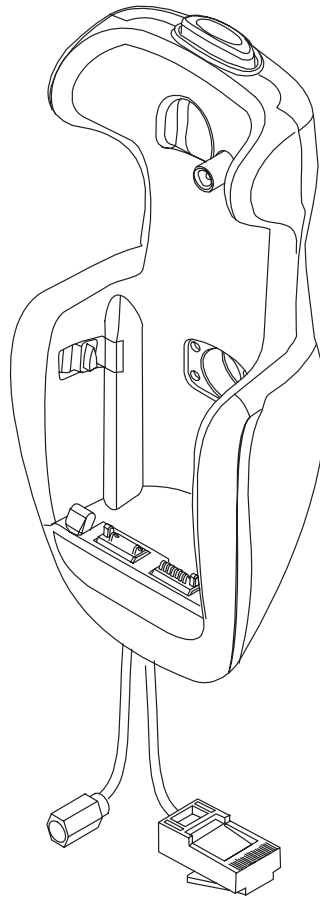
Mobile Holder MBC-1



Product Code

Mobile holder MBC-1: *0700060*

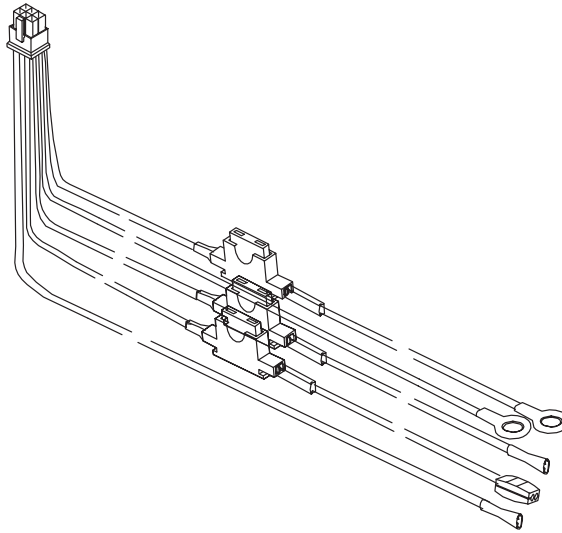
Mobile Holder MCC-1



Product Code

Mobile holder MCC-1: *0620043*

Power Cable PCH-4J



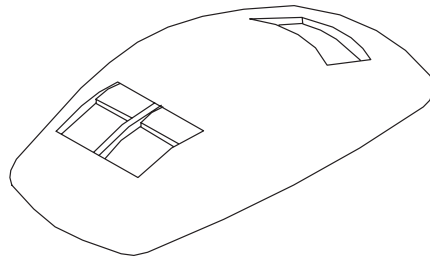
Product Code

Power cable PCH-4J:

0730055

Handsfree Microphone HFM-8

The HFM-8 microphone forms part of advanced handsfree unit.

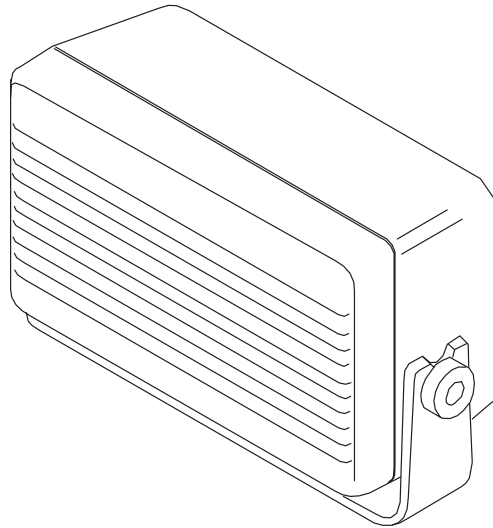


Product Code

Handsfree microphone HFM-8: *0690016*

Handsfree Speaker HFS-12

The HFS-12 speaker forms part of advanced handsfree unit.

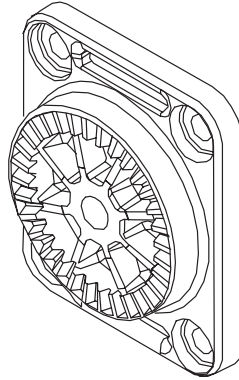


Product Code

Handsfree Speaker HFS-12: *0692008*

Mounting Plate MKU-1

The MKU-1 mounting plate provides a method of fixing the phone holder, the basic handsfree unit or the handset to the vehicle interior.



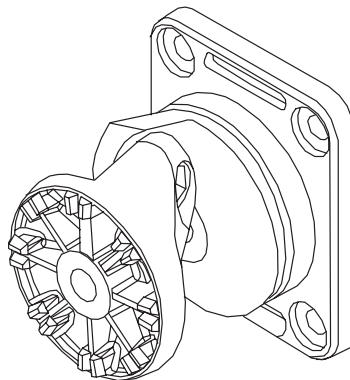
Product Code

Mounting plate MKU-1:

0620036

Swivel Mount HHS-9

The HHS-9 swivel mounting plate provides an alternative (to MKU-1) method of locating the phone holder, the handsfree unit, or the handset.



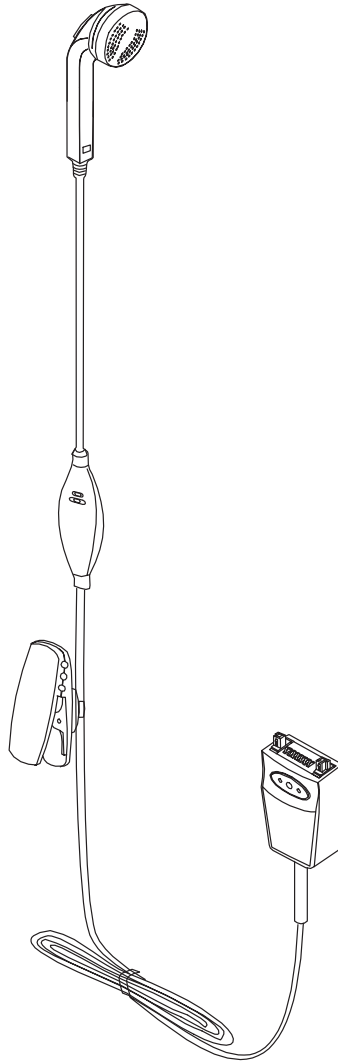
Product Code

Swivel mounting plate HHS-9:

0620037

Headset HDC-9

The HDC-9 headset provides a also hook switch for the phone/micro-
phone.



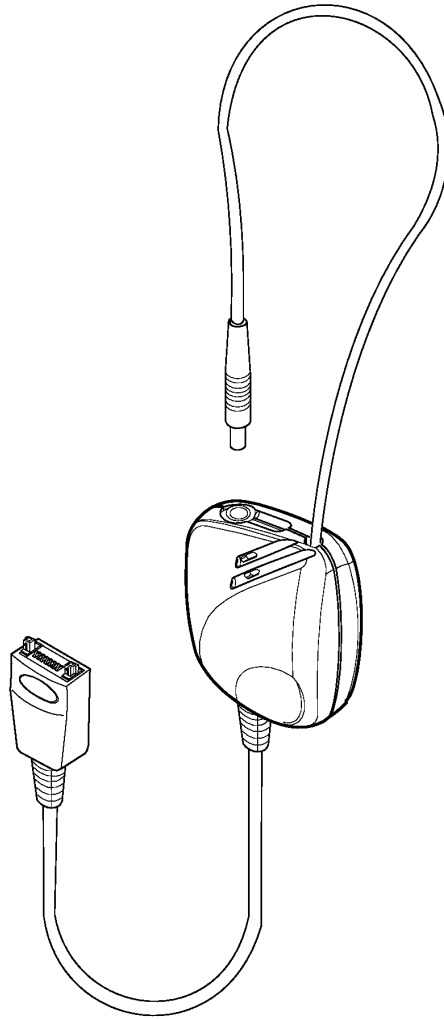
Product Code

Headset HDC-9:

0694053

Loopset Unit LPS-1

Aid device for simultaneous use of hearing aid and digital mobile phone.
Connection directly to the system connector of a transceiver.

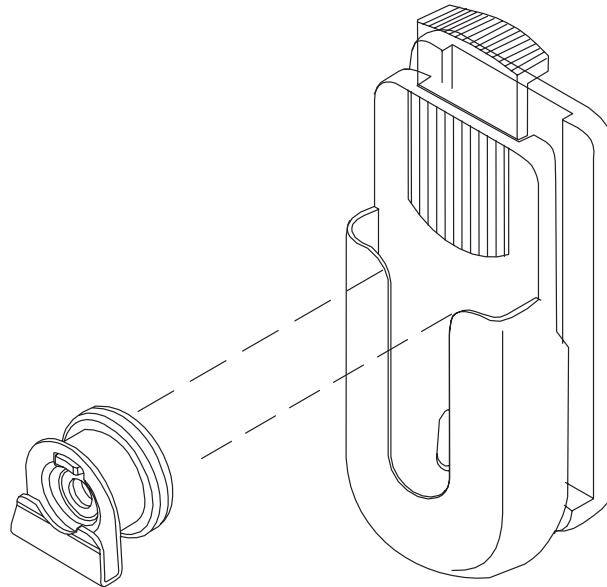


Product Code

Loopset LPS-1:

0201179

Belt Clip BCH-12

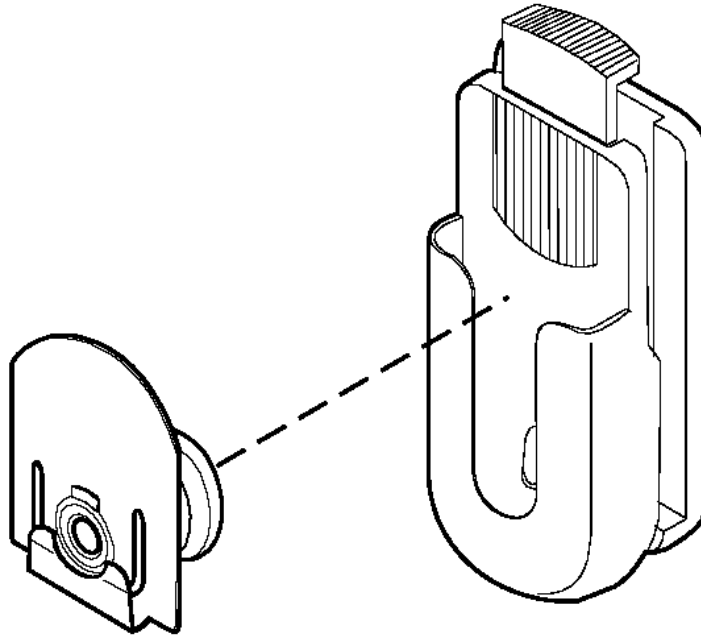


Product Code

Belt Clip BCH-12: *0720098*

NOTE: Belt Clip **BCH-12** **MUST NOT** be used with **NSM-1** phone.

Belt Clip BCH-16



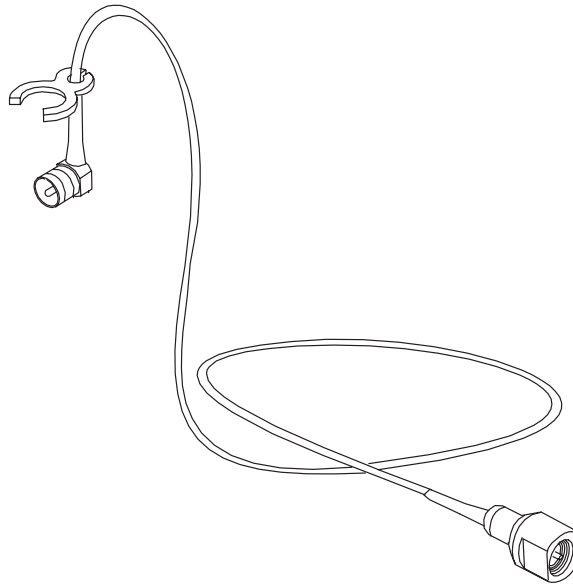
Product Code

Belt Clip BCH-16: *0720145*

NOTE: Belt Clip **BCH-12** **MUST NOT** be used with **NSM-1** phone.

External Antenna Cable XRC-1

The External Antenna Cable is used to connect the phone to an external antenna.

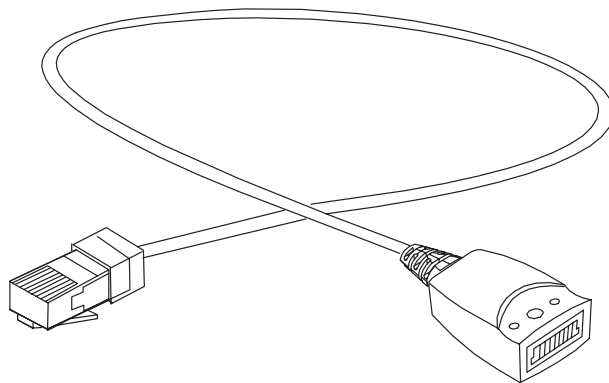


Product Code

External Antennacable XRC-1: *0730103*

Data Adapter Cable DAC-2

The Data Adapter Cable is used with the Advanced Car kit.



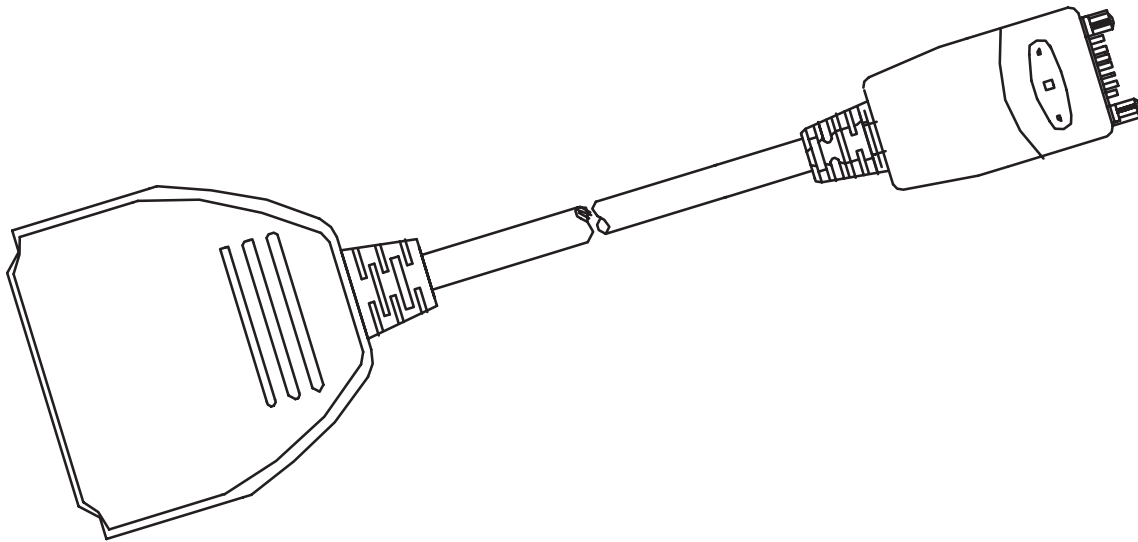
Product Code

Data Adapter Cable DAC-2:

0720100

Analog Data Adapter Cable DAR-3

The Analog Data Adapter Cable is used with phone and modem.



Product Code

Analog Data Adapter Cable DAR-3:

0730140

This page intentionally left blank.